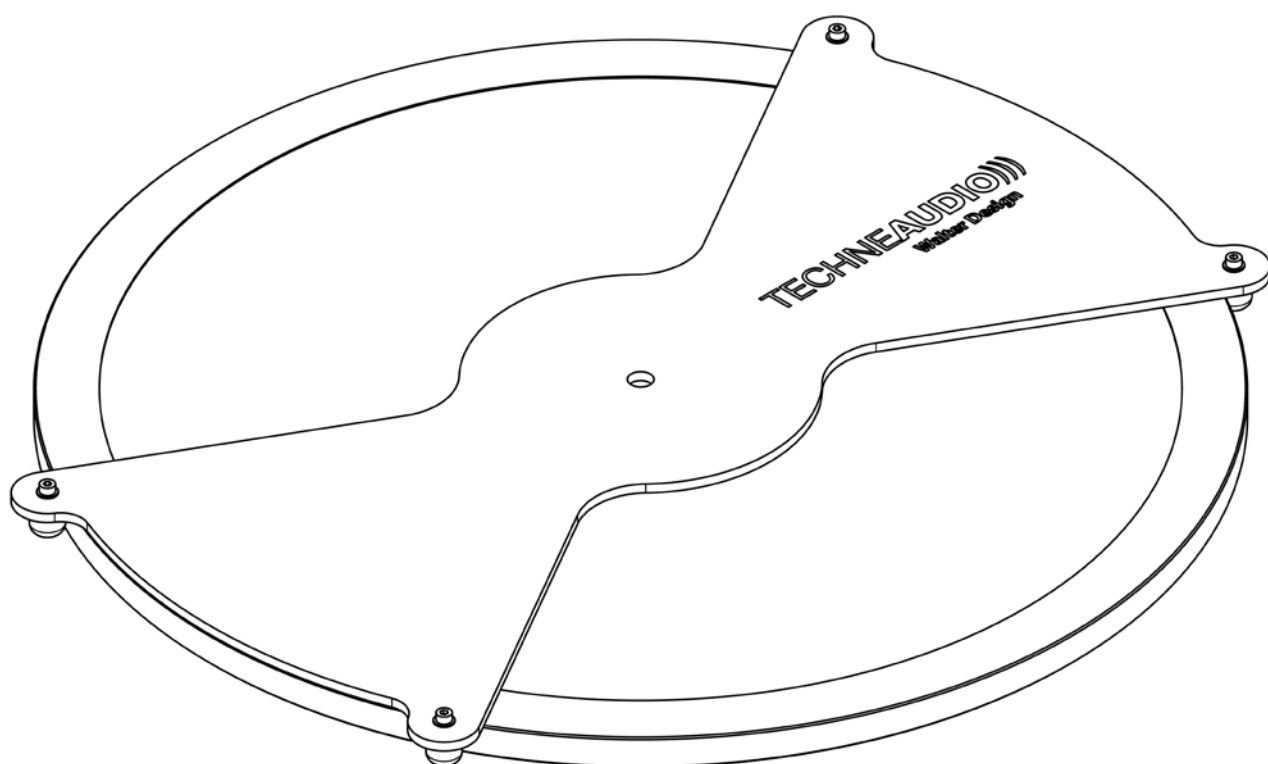


**TECHNEAUDIO)))** Walter Design



**Outer ring with centering propeller  
for  
platters with bezel**

# TECHNEAUDIO))) Walter Design – outer ring

## Preamble

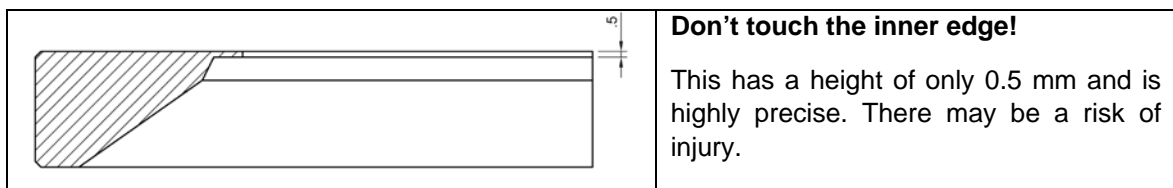
We congratulate you on the purchase of the high-quality product from TECHNEAUDIO))).

Our products are manufactured with the latest technologies and the highest standards of quality. By observing the operating instructions, our products will give you an extraordinary audiophile pleasure.

### 1. Package contents

- 1 x stainless steel outer ring – polished upper surfaces
- 1 x centering propeller – red acrylic red LISA
- 1 x padded bag
- 1 pair white cotton gloves

### 2. Handling



The ring can be placed in or on the supplied padded bag after use. We also recommend purchasing our holding device.

The lid of the turntable cannot be closed with the outer ring fitted!

### 3. Maintenance

The ring must be cleaned with a soft cloth. For fingerprints, it is recommended to moisten the cleaning cloth with a mixture of water and a little detergent.

The centering propeller should be wiped with a soft dry cloth or cleaned with acrylic cleaner. For the latter, please follow the instructions of the manufacturer.

### 4. Technical data - outer ring

- material: stainless steel
- diameter: 334 mm
- height: 10 mm
- mass: 865 g

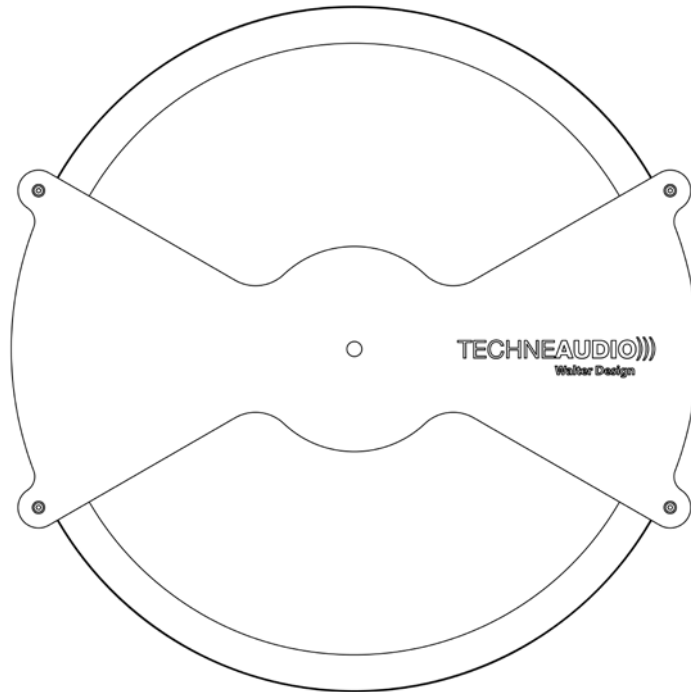
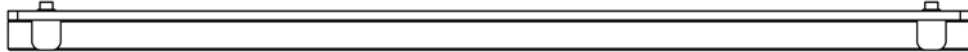
The outer ring is designed for turntables with a bevel of a minimum of 30 °.

# TECHNEAUDIO))) Walter Design – Centering propeller for outer ring

## Operation manual

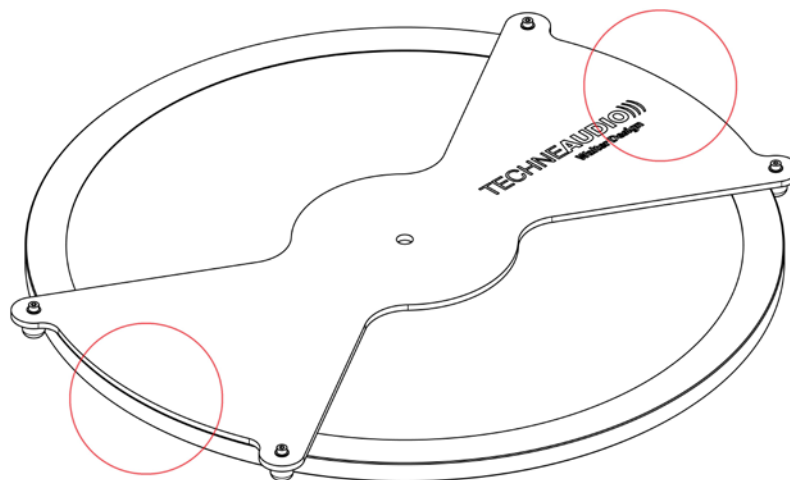
### 1. Place the centering propeller on the outer ring

Grasp the centering propeller on the outside and place it on top of the outer ring, so that the guide pins rest on the outside of the side surface of the ring.



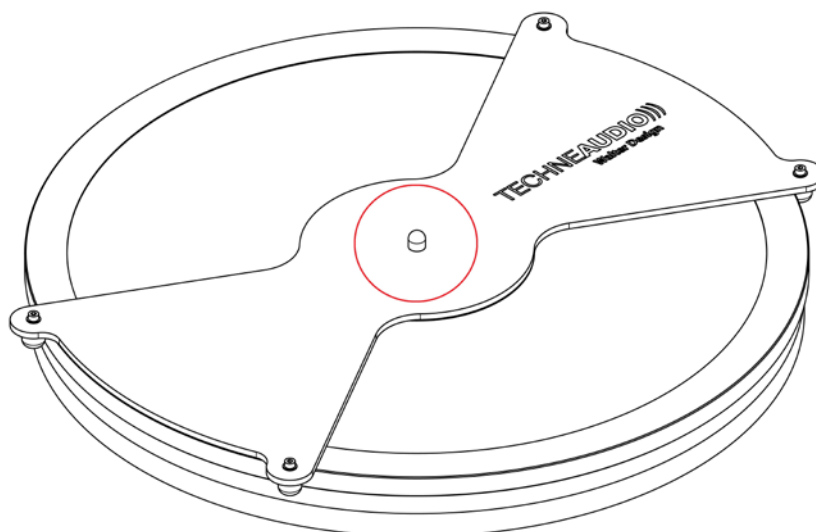
### 2. Raise the centering propeller and the outer ring

Place the thumbs on the left and right sides on the edges of the centering propeller, so that with the remaining fingers they can grasp the outer ring on both sides from the outside and lift it up safely. It is advisable to bring the fingertips below the ring to grasp.



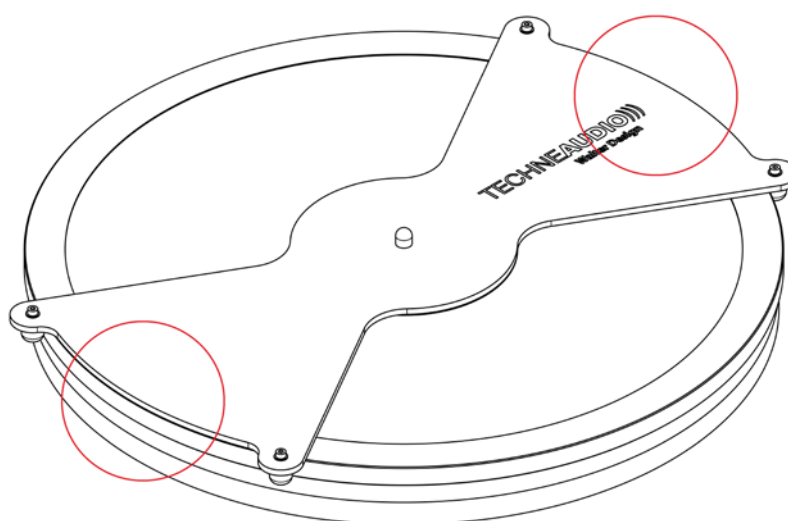
### 3. Place the outer ring on the record

Bring the centering propeller with the outer ring in the center over the turntable. Slowly lower the unit parallel to the surface of the record so that the turntable spike dips into the center hole of the centering propeller. It is carefully placed the outer ring on the outer edge of the record.



### 4. Remove the centering propeller

Grasp the centering propeller at the two outer ends without touching the outer ring. Now lift it down carefully so that the outer ring does not slip.



### 5. Lowering the outer ring with the aid of the centering propeller

The taking down of the outer ring with the aid of the centering propeller takes place in the reverse order as the placement.

### Further questions about the product

For further questions we are very happy to help. You can reach us at:

TECHNEAUDIO)))  
Zum Rössle 9  
D-79809 Weilheim-Remetschwil

phone: +049 (0) 7755 938 586  
email: [info@techne-audio.de](mailto:info@techne-audio.de)  
web: <http://www.techne-audio.de/>